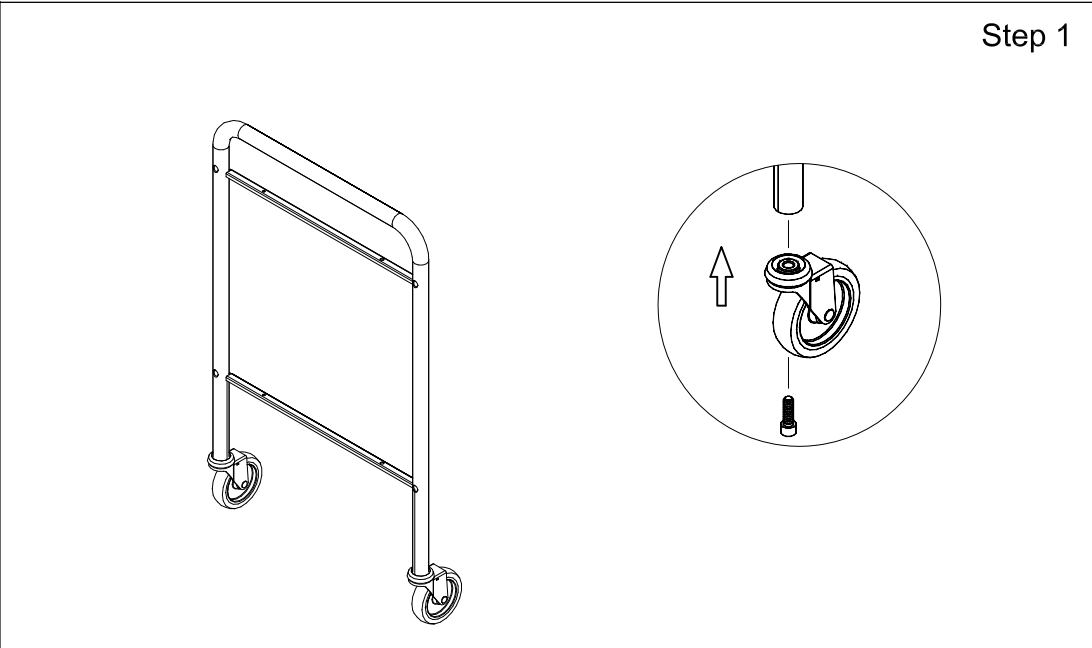


ASSEMBLY INSTRUCTIONS

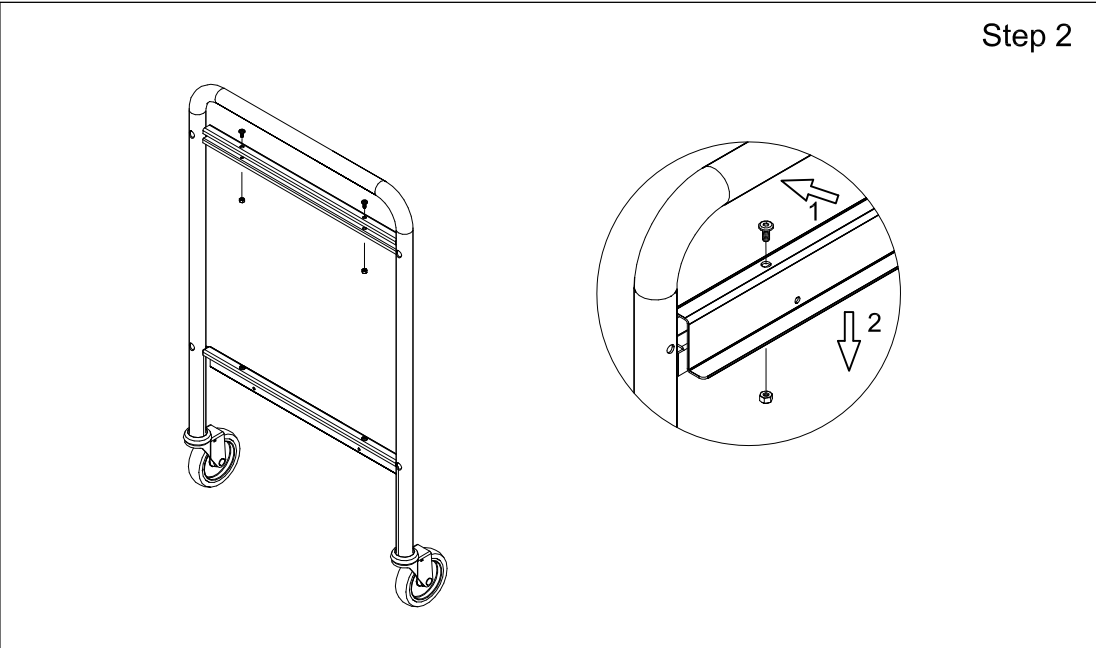
Name: Platform trolley ,Art.No 57230-57240

Step 1



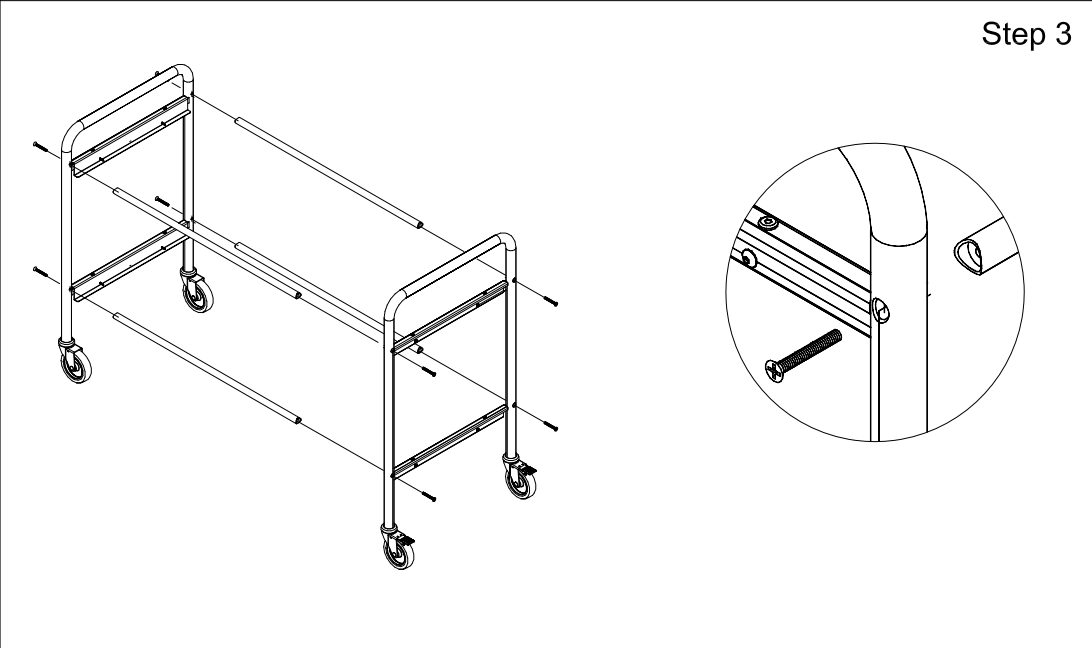
This diagram shows the front view of the trolley frame. A circular inset provides a close-up of the front wheel assembly. An upward-pointing arrow indicates the direction to slide the wheel onto the frame's axle. A small screw is shown below the wheel, indicating it will be used to secure the assembly.

Step 2



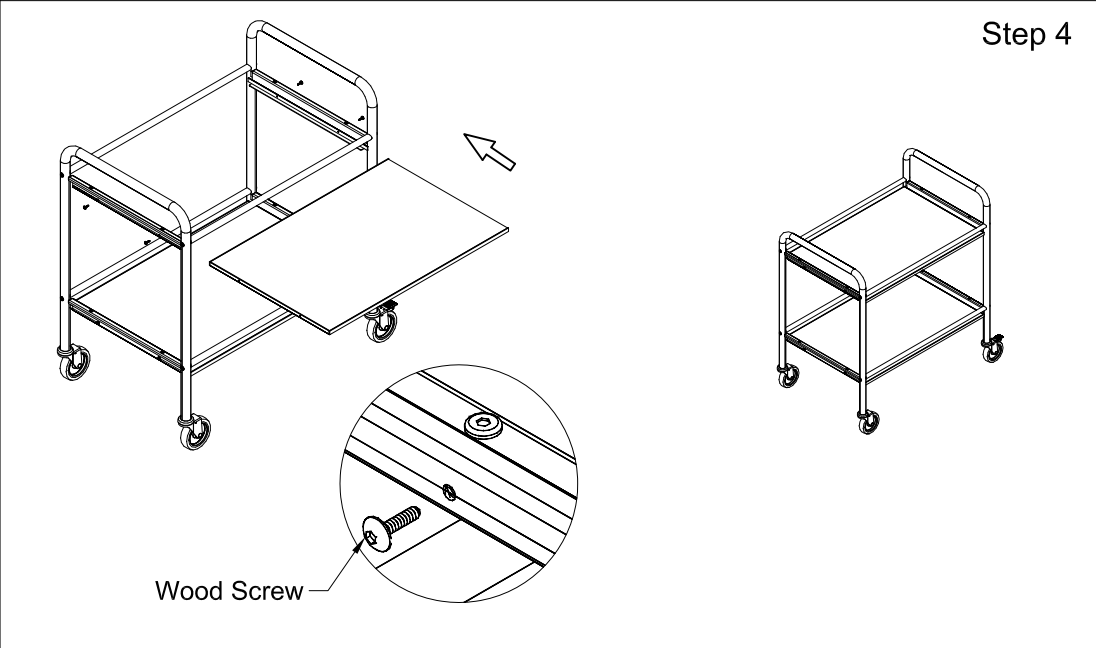
This diagram shows the rear view of the trolley frame. A circular inset provides a close-up of the rear wheel assembly. Two arrows, labeled '1' and '2', indicate the sequence of actions: arrow '1' points to the wheel being slid onto the frame, and arrow '2' points to the screw being inserted to secure it.

Step 3



This diagram shows the side view of the trolley frame with the front and rear wheels attached. A circular inset provides a close-up of the side rail attachment point. A screw is shown being inserted into the frame to secure the side rail.

Step 4



This diagram shows the platform being slid onto the trolley frame. A circular inset provides a close-up of the platform attachment point. A screw is shown being inserted into the frame to secure the platform. The text "Wood Screw" is written below the inset, with a line pointing to the screw. The final assembled trolley is shown to the right.